



Exporters and Suppliers of FRP Epoxy / Polyester Pultruded profiles, like tubes, rod, threaded rod, nuts, Threaded rod, Angle, Strip, Dogbone, etc

FIBERGLASS EPOXY FASTENERS

FRP THREADED ROD is made with Epoxy resin for higher electrical and mechanical strength, available in Class F (155 °C) and H (180 °C), Application is in Dry type Transformers, Chocks, Tap Changers, Grounding Neutral resistor, Switchgears & FRP Cable Trays for joint of each Supports.

The Fiber reinforced plastic is finding new applications in the cable Trays Joint supports. small Length size of frp threaded rod with frp nuts are use for joint of each and every joints of FRP cable trays, to protect corrosive, conductive because of its non corrosive, non metallic and non conductive properties. FRP Fastener to be with made from FRP Epoxy pultruded Rods, on which threading to be done with special mechanism. Our Fasteners is epoxy resin made with higher mechanical and electrical strength.

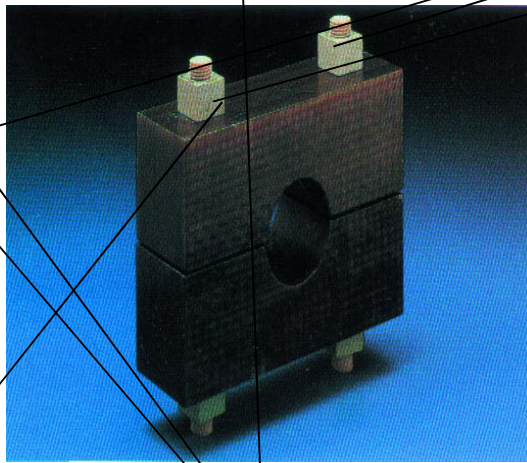
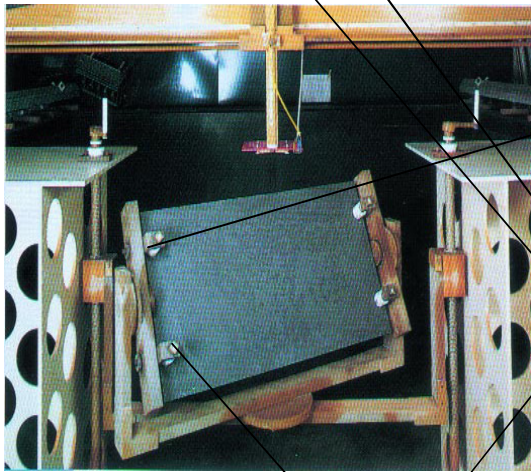
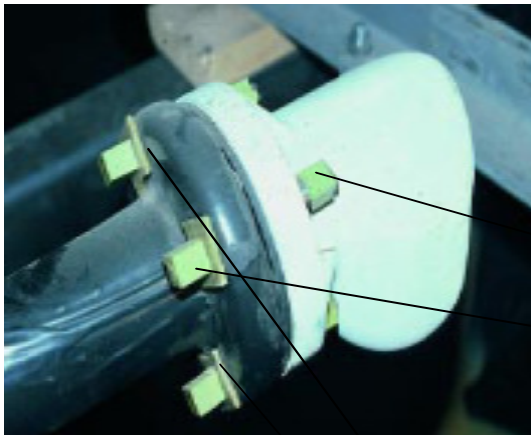
DETAILS OF FASTENERS AVAILABLE

1. Threaded rod of length is more then 1 meter continues (Cut length of Threaded rod is available)
2. Hexagonal Head with 60 mm length threaded rod is available as per required drawings.
3. Square Nut available of each threaded rod.(SQUARE NUT HAVE HIGHER STRENGTH THEN HEXAGONAL NUT)
4. Round and Square washer of 2-3 mm thickness is available of each size of threaded rod
5. Available size of threaded rod and nuts are as below

Fields of application are

- cooling towers
- on-shore/off-shore engineering
- chemical plants
- sewage treatment plants
- hydraulic engineering
- manufacture of transformers and generators
- traffic engineering
- switchgear
- refrigeration and air
- conditioning
- high-frequency systems

The application of Fasteners in Oil,Gess, chemical pipeline are shown in figure.



FRP Nut

FRP Threaded Rod (Fasteners)

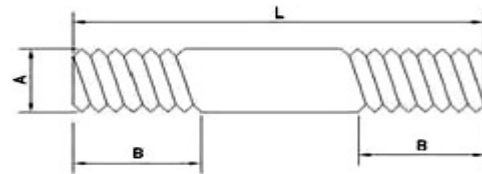
FRP Washer



Drawings with sizes of Threaded rod (Length is up to 1meter)

Product Code	A(Dia)	B(Length)
DH-TR-10 E/P	10	Customize
DH-DB-12 E/P	12	Customize
DH-DB-16 E/P	16	Customize
DH-DB-20 E/P	20	Customize
DH-DB-25 E/P	25	Customize

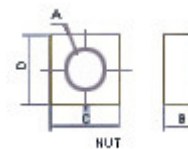
Drawings



Drawings with sizes Nuts

Product Code	A (Dia)	B (Length)
DH-NT-10 E/P	10	Customize
DH-NT-12 E/P	12	Customize
DH-NT-16 E/P	16	Customize
DH-NT-20 E/P	20	Customize
DH-NT-25 E/P	25	Customize

Drawings



For, more details contacts as below

DHANSHREE IMPEX

14, Narayan Nidhi Complex

Nr. Vaishali Cinema. Nadiad-387002, Gujarat, India

Tel.: + 91-268-2558537 Mob. +91-9427853389

Email: info@dhanshreeimpex.com

WWW.DHANSHREEIMPEX.COM

Contact: Mr. D R Gajjar